

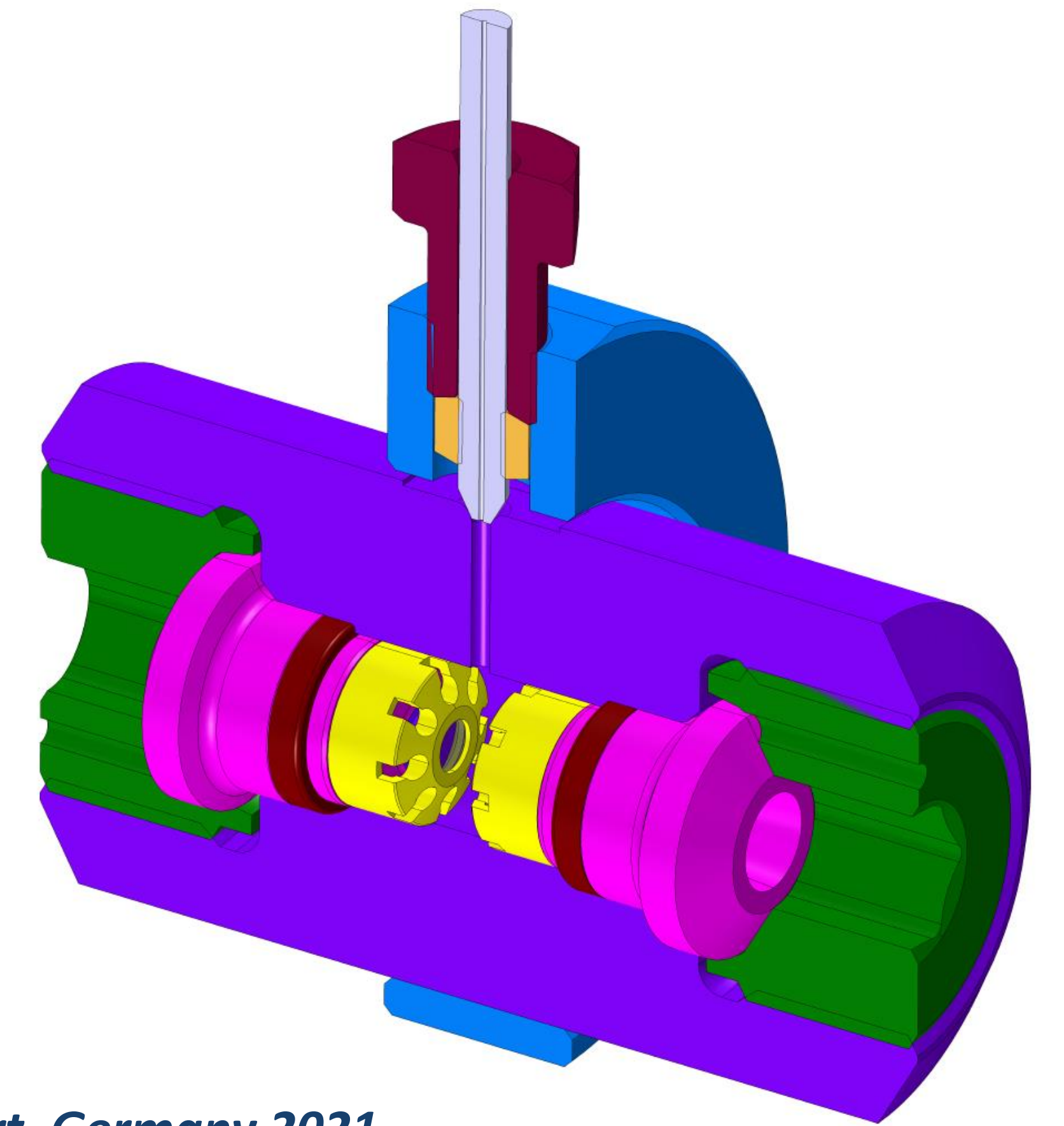
Pressure cell for cryogenic-optical measurements

J. Arabas, R. Okoniewski, H. Parashar, J. Szczeppek, J. Zwoliński

CuBe pressure cell

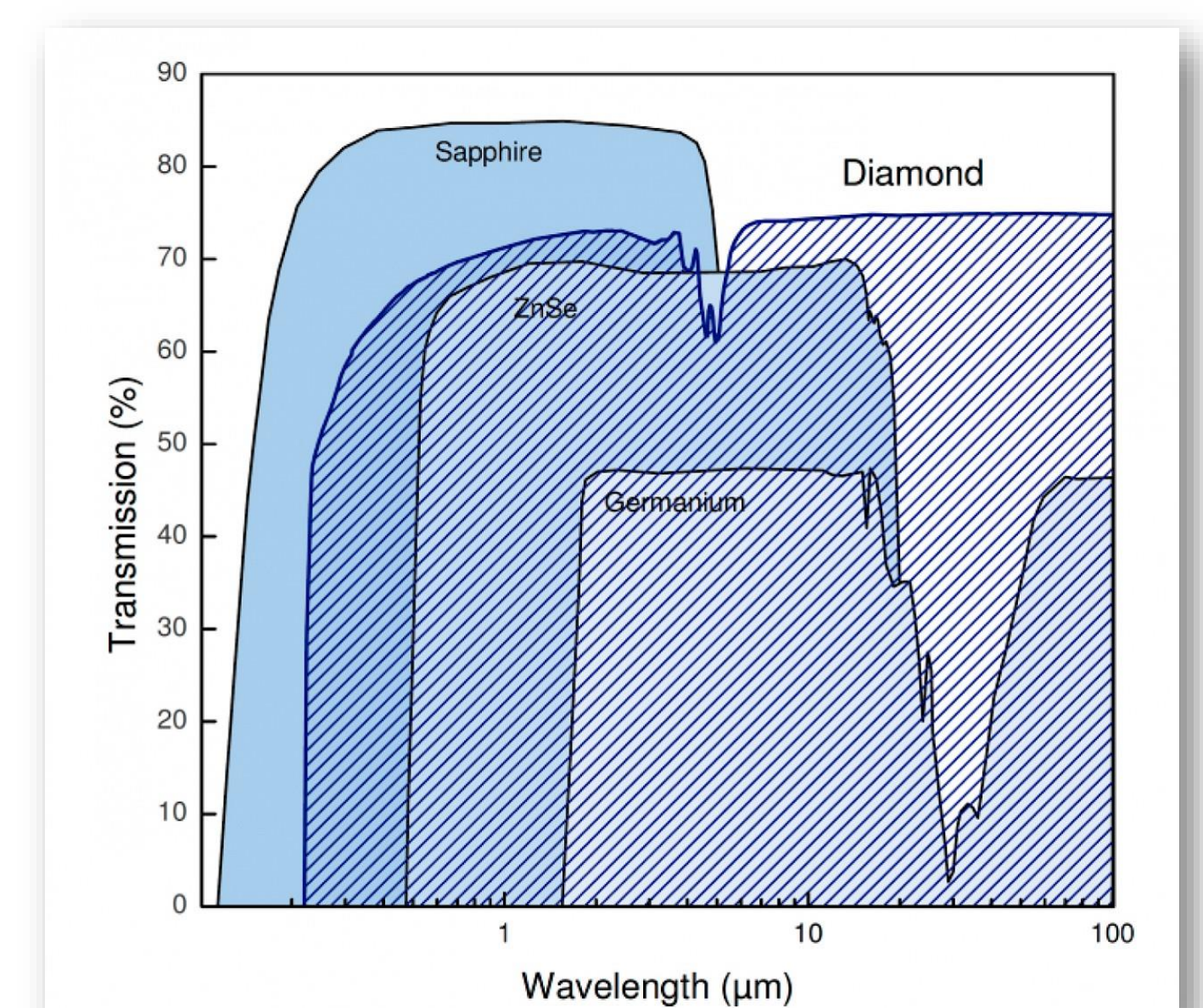
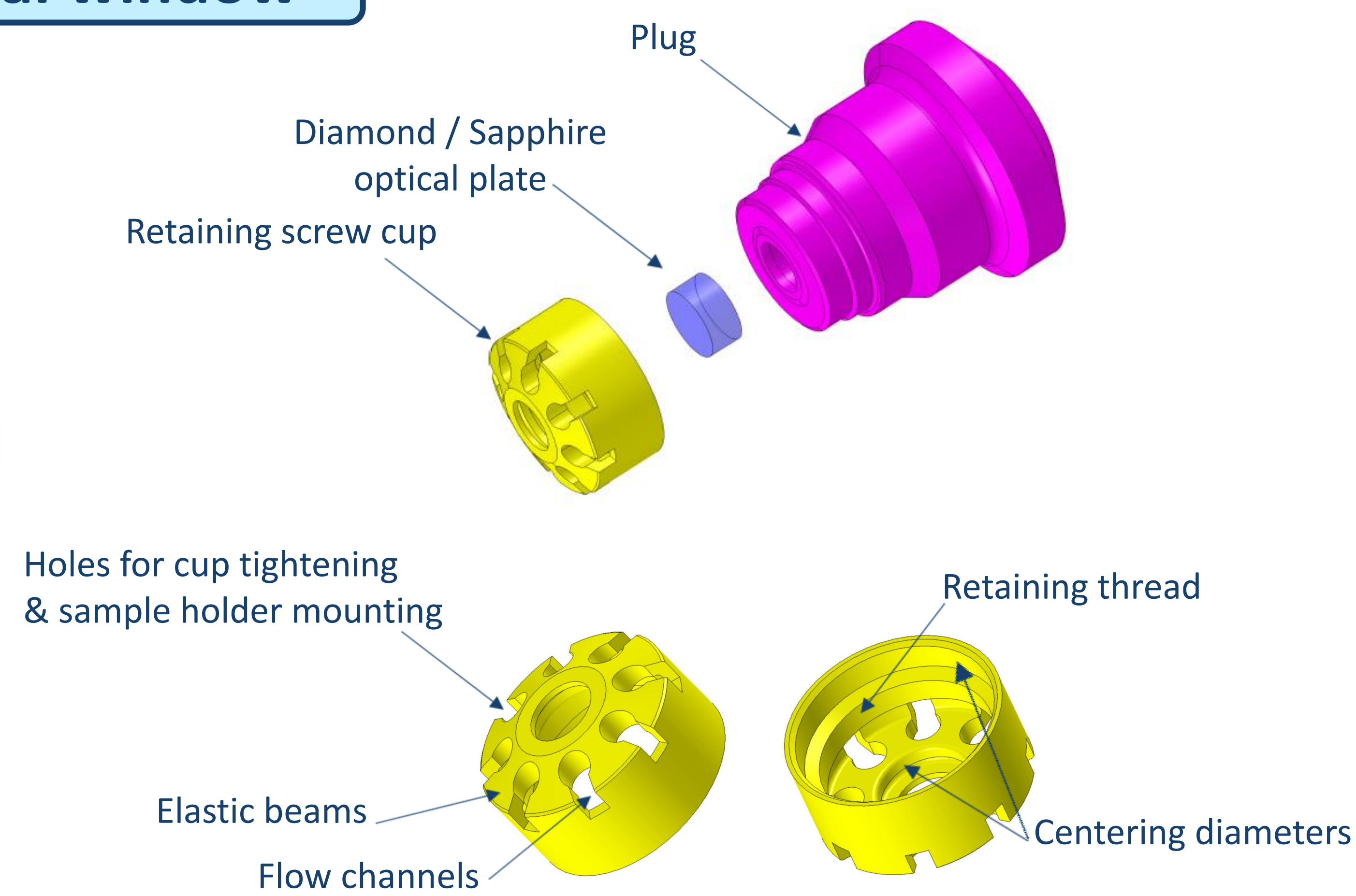


New generation of optical pressure cell originally developed in Unipress in 70's by Laboratory of Semiconductors.



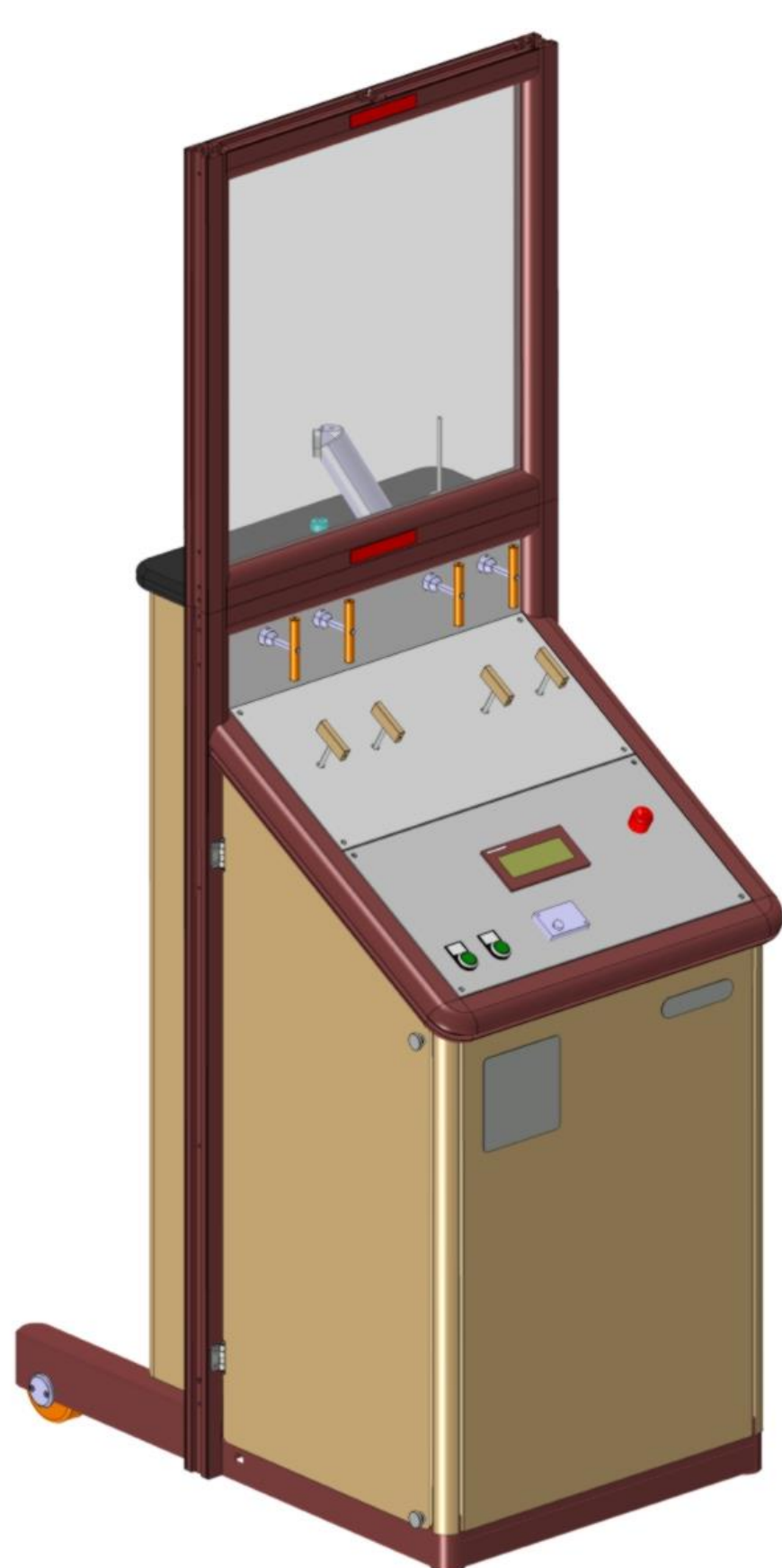
First prototype was installed at the faculty of Physics, *GOETHE University Frankfurt, Germany 2021.*

Diamond / Sapphire optical window



(Data from Diamond Materials GmbH website)

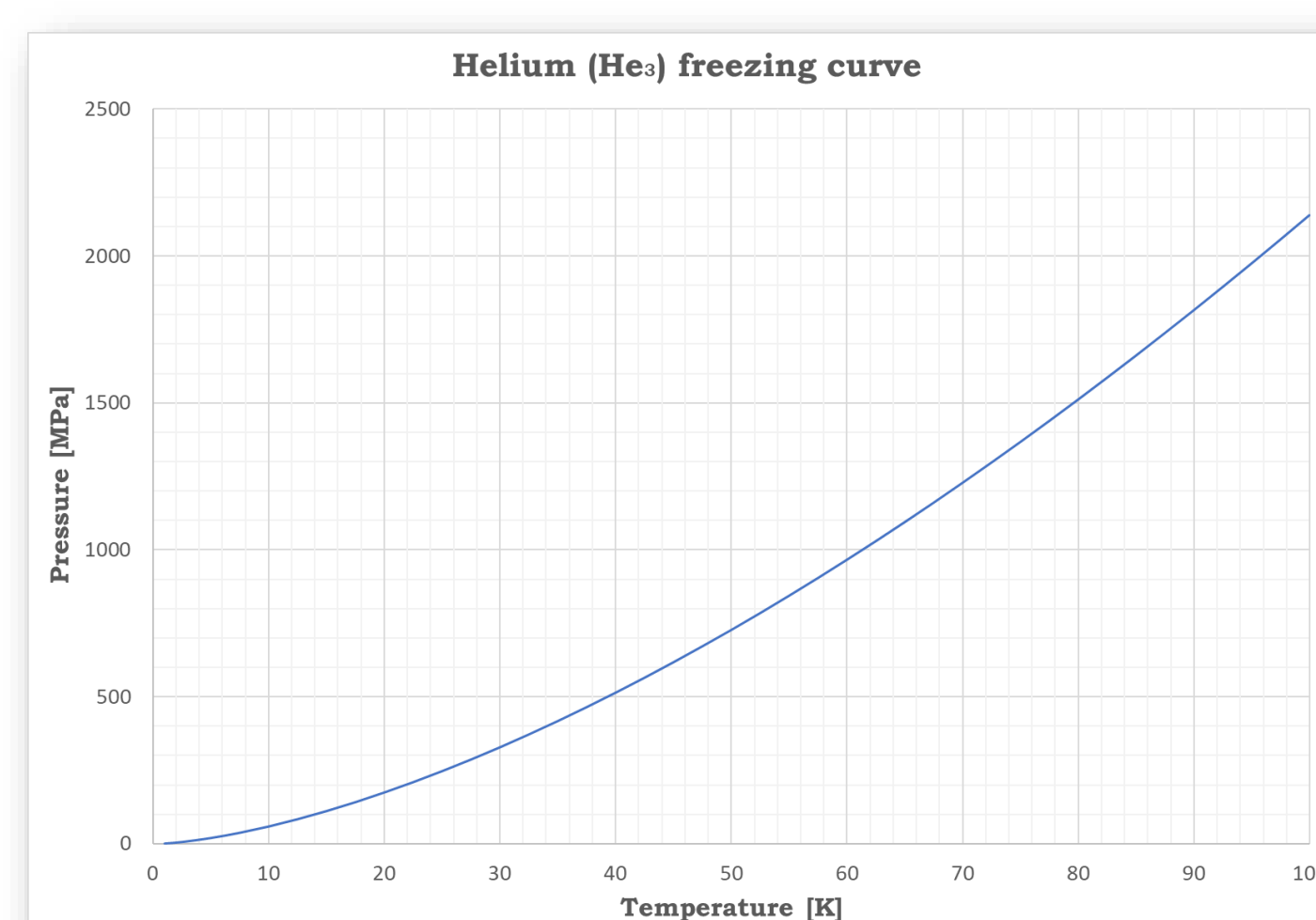
Helium gas pressure system



Helium gas system U11 is a complete measuring system consisting of:

- Gas compressor.
- CuBe pressure cell.
- CuBe capillary tube connector.

The pressure transmitting medium is Helium, which retains hydrostatic properties at high pressure down to relatively low temperatures (see Helium freezing curve).



Exemplary placement of optical cell inside a cryostat

